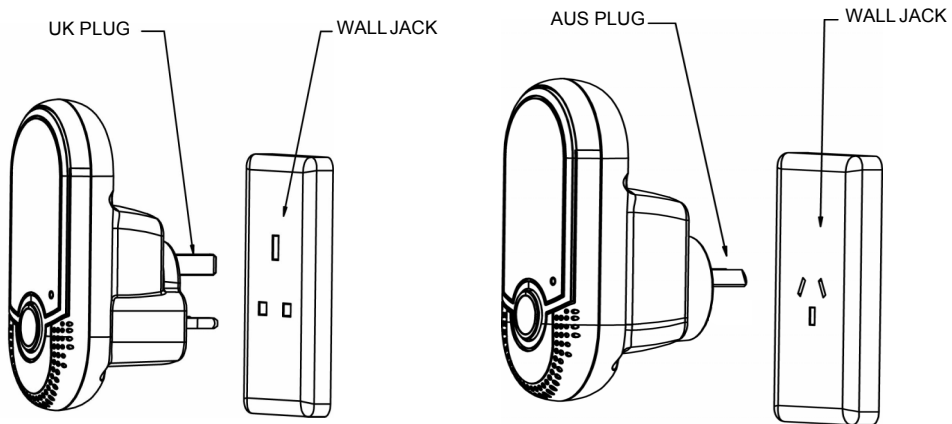


## MBP8 - Quick Start Guide




For a full explanation of all features and instructions, please refer to the User's Guide.



### 1. Setting up your digital baby monitor

1. Choose a proper location with easy access to a power outlet.
2. Plug the baby unit into the power outlet in your baby's room. Keep sufficient space in front of the monitor to ensure sound can be received and heard.
3. Plug in the parent unit where you want to monitor your baby.



## 2. Basic operation of the keys

Parent unit	
	Press to increase the speaker volume.
	Press to decrease the speaker volume.
	Press and hold to power on/off the parent unit.

Baby unit	
	Press and hold to power on/off the baby unit.
	Press to turn on/off the nightlight.

## 3. General information

If your product is not working properly...

1. Read this Quick Start Guide or the User's Guide.
2. Contact Customer Service in the:  
UK 0845 218 0890  
ROI 08187 62092  
Email: [enquiries@binatone-support.co.uk](mailto:enquiries@binatone-support.co.uk)  
AU 1300 667 137  
Email: [info@cnpbrands.com.au](mailto:info@cnpbrands.com.au)



Manufactured, distributed or sold by Binatone Electronics International LTD., official licensee for this product. MOTOROLA and the Stylized M Logo are trademarks or registered trademarks of Motorola Trademark Holdings, LLC. and are used under license. All other trademarks are the property of their respective owners.  
© 2011 Motorola Mobility, Inc. All rights reserved.

Version 1.0  
Printed in China