

ALCATEL

Versatis F200 / F200 Duo / F200 Trio /
Versatis F250 / F250 Duo / F250 Trio

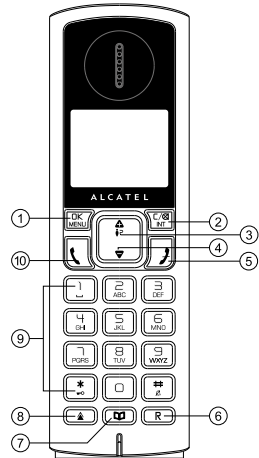
In keeping with our environmental preservation and compliance commitment, we include mini-guides in our packaging. More complete instructions and online assistance are available on our website:

www.atlinks.com



1. GETTING TO KNOW YOUR PHONE

1.1. Handset Overview (Versatis F200 Only)

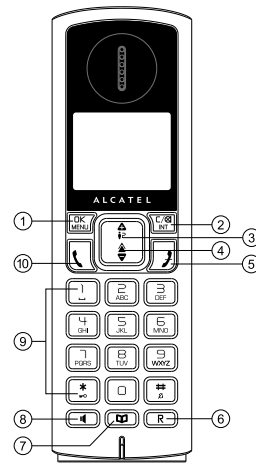


- 1. [M] (Menu)**
In idle mode: Press to access the main menu
In sub-menu mode: Press to confirm the selection
During a call: Press to access Intercom/Phonebook/Redial List/Call List
- 2. [C] (Call)**
In main menu mode: Press to go back to idle screen
In sub-menu mode: Press to go back to previous level
In sub-menu mode: Press and hold to go back to idle screen
In editing/predialing mode: Press to clear a character/digit
In editing/predialing mode: Press and hold to delete all the characters/digits
During a call: Press to mute/unmute the microphone
In idle mode: Press to intercom another handset
In ringing: Press to suppress handset ringer

- 3. [A] (Call List)**
In idle mode: Press to access the call list
In menu mode: Press to scroll up the menu items
In Phonebook list/Redial list/Call List: Press to scroll up the list
During a call: Press to increase the volume
In ringing: Press to increase the ringer volume
- 4. [V] (Volume)**
In idle mode: Press to access the redial list
In menu mode: Press to scroll down the menu items
In Phonebook list/Redial list/Call list: Press to scroll down the list
During a call: Press to decrease the volume
In ringing: Press to decrease the ringer volume
- 5. [E] (End Call)**
During a call: Press to end a call and go back to idle screen
In menu/editing mode: Press to go back to previous menu
In menu/editing mode: Press and hold to go back to idle screen
In idle mode: Press and hold to power off the handset
In idle mode: Press and hold to power on/off the handset
- 6. [R] (Flash)**
In idle/predialing mode: Press to insert a flash
During a call: Press to dial a flash
- 7. [P] (Phonebook)**
In idle mode: Press to access the phonebook list
- 8. [A] (Redial List)**
In idle mode: Press to access the redial list
- 9. ALPHANUMERIC KEYPAD, [L], [R]**
* key in idle mode: Press and hold to enable or disable the keypad lock
key in idle mode: Press and hold to turn on/off the ringer
key in call list mode: Press to review caller's number if applicable
0 key in predialing/number editing mode: Press and hold to insert a pause
1, 2, 3 key in idle/off hook mode, press and hold to dial the stored direct memory number

- 10. [C] (Call List)**
In idle/predialing mode: Press to make a call
In Redial list/Call List/Phonebook entry: Press to make a call to the selected entry in the list
During ringing: Press to answer a call

1.2. Handset Overview (Versatis F250 only)

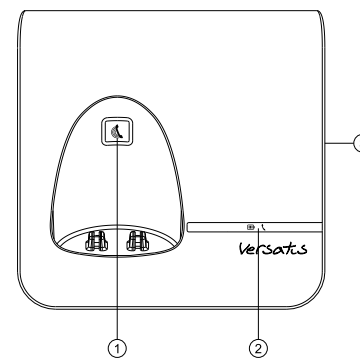


- 1. [M] (Menu)**
In idle mode: Press to access the main menu
In sub-menu mode: Press to confirm the selection
During a call: Press to access Intercom/Phonebook/Redial List/Call List

- 2. [C] (Call)**
In main menu mode: Press to go back to idle screen
In sub-menu mode: Press to go back to previous level
In sub-menu mode: Press and hold to go back to idle screen
In editing/predialing mode: Press to clear a character/digit
In editing/predialing mode: Press and hold to delete all the characters/digits
During a call: Press to mute/unmute the microphone
In idle mode: Press to intercom another handset
In ringing: Press to suppress handset ringer
- 3. [A] (Call List)**
In idle mode: Press to access the call list
In menu mode: Press to scroll up the menu items
In Phonebook list/Redial list/Call List: Press to scroll up the list
During a call: Press to increase the volume
In ringing: Press to increase the ringer volume
- 4. [V] (Volume)**
In idle mode: Press to access the redial list
In menu mode: Press to scroll down the menu items
In Phonebook list/Redial list/Call List: Press to scroll down the list
During a call: Press to decrease the volume
In ringing: Press to decrease the ringer volume
- 5. [E] (End Call)**
During a call: Press to end a call and go back to idle screen
In menu/editing mode: Press to go back to previous menu
In menu/editing mode: Press and hold to go back to idle screen
In idle mode: Press and hold to power off the handset
In idle mode: Press and hold to power on/off the handset
- 6. [R] (Flash)**
In idle/predialing mode: Press to insert a flash
During a call: Press to dial a flash
- 7. [P] (Phonebook)**
In idle mode: Press to access the phonebook list

- 8. [A] (Redial List)**
During a call: Press to turn on/off the speakerphone
In Idle mode/Predialing mode/Redial list/Call List/Phonebook entry: Press to make a call with speakerphone
During ringing: Press to answer a call with speakerphone
- 9. ALPHANUMERIC KEYPAD, [L], [R]**
* key in idle mode: Press and hold to enable or disable the keypad lock
key in idle mode: Press and hold to turn on/off the ringer
key in call list mode: Press to review caller's number if applicable
0 key in predialing/number editing mode: Press and hold to insert a pause
1, 2, 3 key in idle/off hook mode, press and hold to dial the stored direct memory number
- 10. [C] (Call List)**
In idle/predialing mode: Press to make a call
In Redial list/Call List/Phonebook entry: Press to make a call to the selected entry in the list
During ringing: Press to answer a call

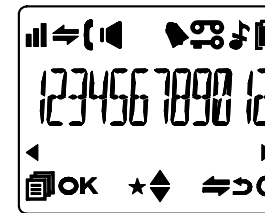
1.3. Base Station Overview



- 1. [M] (Menu)**
Press [M] on the base station to page your handset. It will ring for approximately 60 seconds.
Press and hold [M] on the base station for about five seconds, the base station is entered into registration mode and allows handset registration.
- 2. [I/O] (LED I/O Switch)**
Steadily on while the handset is charging or in use. (Applicable only when the LED I/O switch is slid to "I")
Flash when receiving an incoming call. (Applicable only when the LED I/O switch is slid to "I")
- 3. LED I/O SWITCH (Bottom of the Base)**
Slide the switch to "O" position to turn off the base LED
Slide the switch to "I" position to turn on the base LED when the handset is charging on the base or in use

1.4. Display Icons and Symbols

The LCD display gives you information on the current status of the telephone.



- [Signal Strength]** Steadily on when the handset is in range of the base. Flash when out of range of the base or not registered to the base.
- [Intercom]** Steadily on when an intercom is in progress. Flash when there is an incoming internal call.
- [Call in Progress]** Indicate a call is in progress.
- [Handfree]** (Versatis F250 only) Indicate that handsfree is being used.
- [Alarm]** Steadily on when an alarm is set. Flash when the alarm time set before reaches.
- [Keypad Locked]** Indicate that the keypad is locked.
- [Voice Message]** Indicate when there are received new Voice Message Waiting (VMWI) not yet read. Disappear when all the voice messages have been read. (Network service dependent)
- [Ringer Off]** Indicate that the ringer is switched off.

- [Battery Full]** Indicate when the battery is fully charged. Whole icon flashes when the battery performs initial charging. Internal block icon flashes when the battery is in final charging stage.
- [Battery Low]** Indicate when the battery needs charging. Flash when low battery power level is detected.
- [Text Preceding]** Indicate when more characters are existed before the text currently displayed.
- [Text Following]** Indicate when more characters are existed after the text currently displayed.
- [New Call]** Indicate when new call is received. Turn off when new call has been read.
- [Scroll]** Scroll up/down the menu items/Phonebook list/Redial list/Call List.

2. PRECAUTIONS

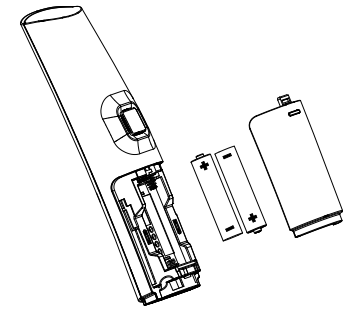
The signal quality will depend on the location and environment of the base and handset.
Position your **Versatis F200/Versatis F250** away from sources of excessive heat (radiators, direct sunlight, etc.) and protect it from vibrations and dust. Never allow your telephone to come into contact with water or other liquids, or with aerosols. To reduce the risk of interference and optimize reception, take particular care not to install the base in the immediate vicinity of windows, large metal objects, reinforced concrete, televisions, music centres, VCR or DVD players, halogen lamps or heating devices, fluorescent lighting, burglar alarms, microwave ovens, computers, etc.
This telephone requires an electrical power supply in order to function.
To clean your **Versatis F200/Versatis F250**, use an antistatic cloth lightly moistened with water.
NB: Your **Versatis F200/Versatis F250** is a DECT™* standard appliance designed to receive and transmit telephone calls. It is designed for connection to the public telecommunications network.

3. INSTALLING YOUR PHONE

- ### 3.1. Installing and Charging the Batteries
- Slide down to open the battery compartment cover.
 - Place the 2 supplied AAA rechargeable batteries as indicated. Pay extra attention to direction of polarity.
 - Slide the battery compartment cover back.
 - Put the handset on the base and charge for 15 hours before using the handset for the first time. The handset will give a beep when it is properly placed on the base or charger.

Notes:

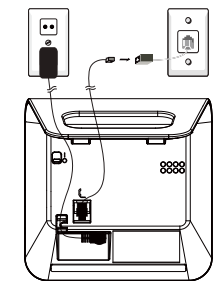
- Use only the supplied NiMH rechargeable batteries.
- If the handset will not be used for a long time, disconnect and remove the batteries to prevent possible leakage.



3.2. Connecting the Base Station

- Plug one end of the telephone line cord into the telephone jack on base bottom.
- Plug the small end of power adapter into a power jack on base bottom.
- Connect the power supply plug to the base jack horizontally, and route the power supply cord through the slot.**
- Plug the large end of power adapter into a wall power outlet.

- Plug the other end of the telephone line cord in to the telephone jack or micro-filter.
- Always use the cables provided in the box.



If you have broadband service, a micro-filter (not included) is required.

3.3. Connecting the Charger(s) (for Duo/Trio models)

Plug the power adapter into mains socket.

If you have a Broadband line

If you connect your telephone to a line with a broadband connection, you will need to insert a micro-filter between the telephone and the telephone line, otherwise you may get interference between the telephone and the broadband, which could cause problems.
In a home with broadband, every telephone must have a micro-filter connected, not just the one at the telephone point that your modem is connected to. If you need more broadband micro-filters, contact your broadband supplier.



www.atlinks.com

ATLINKS Europe
22 quai Gallieni
92150 Suresnes- France

© ATLINKS 2012 - Reproduction prohibited.
The Manufacturer reserves the right to modify the specifications of its products in order to make technical improvements or comply with new regulations.
ALCATEL and ATLINKS are registered trademarks.
The Alcatel logo and Alcatel name are trademarks of Alcatel Lucent and used under licence by ATLINKS.

F200/F200 Duo/Trio
F250/F250 Duo/Trio CG7a
A/W No.: 10000548 Rev.0 (EN)
Printed in China
91-006962-010-100

